

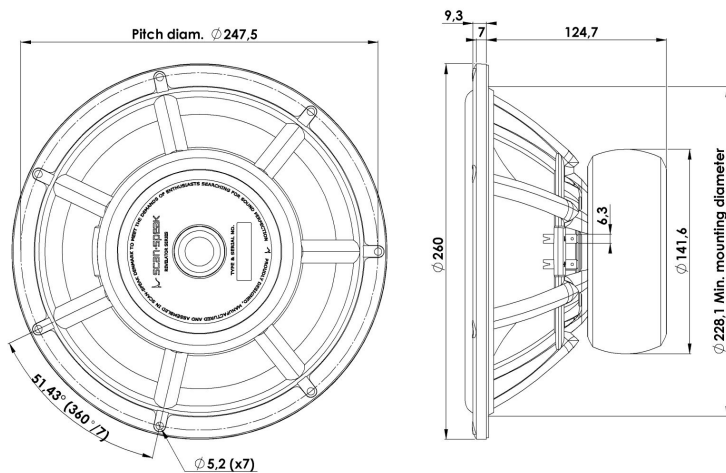


# REVELATOR

## WOOFER

## 26W/4867T00

The Revelator woofers and subwoofers features very rigid cones in paper or aluminium that operates as a piston over a wide frequency range, in combination with Scan-Speaks low-loss linear suspension and the patented Symmetrical Drive (SD-1) it results in very low distortion and a smooth and well behaved frequency response as well as perfect transient reproduction.



### KEY FEATURES:

- Patented Symmetrical Drive Motor Design
- Low-Loss linear suspension
- Die cast Alu Chassis vented below spider
- Rigid Black Anodized Alu Cone
- Low Damping SBR Rubber Surround
- Ferrite Magnet System w. Rubber Boot

#### T-S Parameters

Resonance frequency [fs]	18 Hz
Mechanical Q factor [Qms]	5.80
Electrical Q factor [Qes]	0.31
Total Q factor [Qts]	0.29
Force factor [Bl]	8.3 Tm
Mechanical resistance [Rms]	0.99 kg/s
Moving mass [Mms]	51 g
Compliance [Cms]	1.53 mm/N
Effective diaph. diameter [D]	202 mm
Effective piston area [Sd]	320 cm <sup>2</sup>
Equivalent volume [Vas]	220 l
Sensitivity (2.83V/1m)	89 dB
Ratio Bl/√Re	4.31 N/√W
Ratio fs/Qts	61 Hz

#### Notes:

IEC specs. refer to IEC 60268-5 third edition.  
All Scan-Speak products are RoHS compliant.  
Data are subject to change without notice.  
Datasheet updated: January 17, 2019.

#### Electrical Data

Nominal impedance [Zn]	4 $\Omega$
Minimum impedance [Zmin]	4.4 $\Omega$
Maximum impedance [Zo]	72.9 $\Omega$
DC resistance [Re]	3.7 $\Omega$
Voice coil inductance [Le]	0.25 mH

#### Power Handling

100h RMS noise test (IEC 17.1)	80 W
Long-term max power (IEC 17.3)	200 W

#### Voice Coil & Magnet Data

Voice coil diameter	50 mm
Voice coil height	24 mm
Voice coil layers	2
Height of gap	6 mm
Linear excursion	$\pm 9$ mm
Max mech. excursion	$\pm 14$ mm
Unit weight	3.7 kg

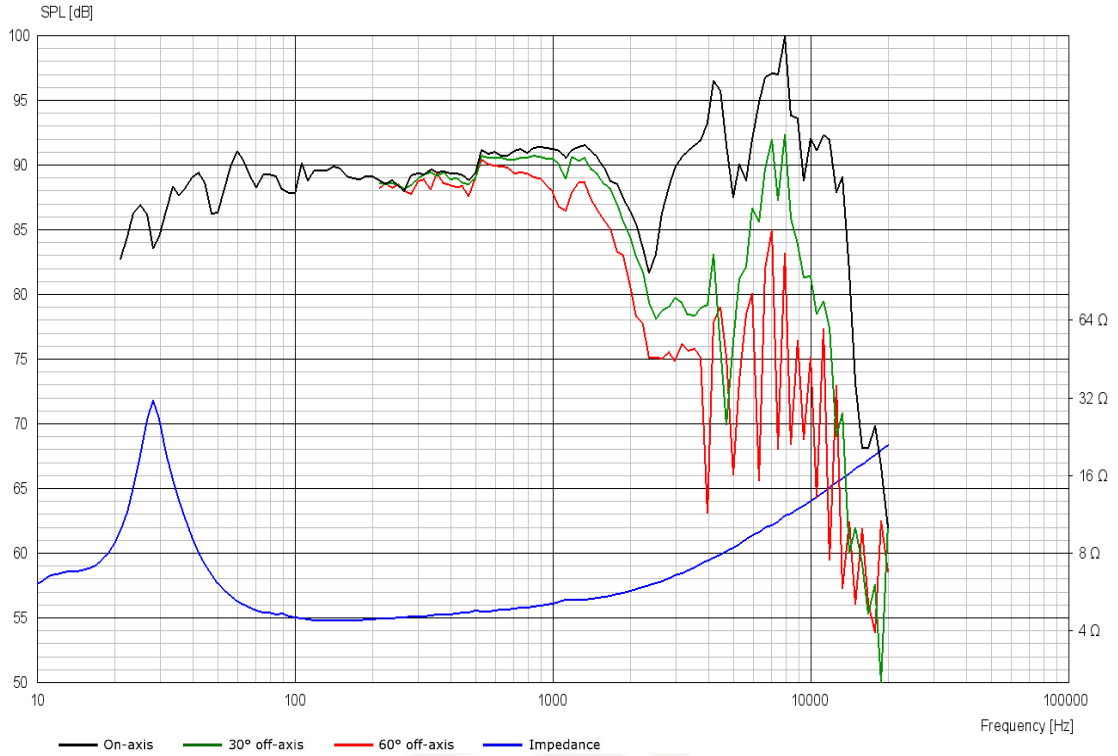




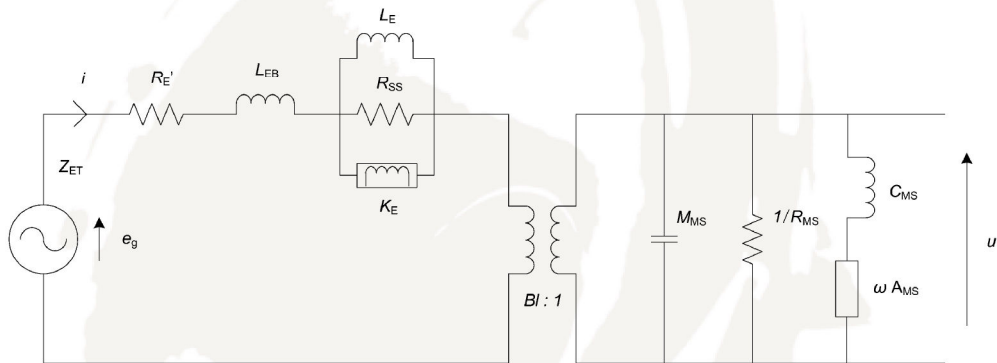
# REVELATOR

## WOOFER

## 26W/4867T00



### Advanced Parameters (Preliminary)



#### Electrical data

Resistance [ $R_{E'}$ ]	3.64 $\Omega$
Free inductance [ $L_{EB}$ ]	0.130 mH
Bound inductance [ $L_E$ ]	9.00 mH
Semi-inductance [ $K_E$ ]	0.0191 SH
Shunt resistance [ $R_{SS}$ ]	19.5 $\Omega$

#### Mechanical Data

Force Factor [ $BI$ ]	7.50 Tm
Moving mass [ $M_{MS}$ ]	53.3 g
Compliance [ $C_{MS}$ ]	1.27 mm/N
Mechanical resistance [ $R_{MS}$ ]	1.19 kg/s
Admittance [ $A_{MS}$ ]	0.176 mm/N

