

Model No: DFM-2535R00-08

Rev: 1.0

Product Line: Tymphany

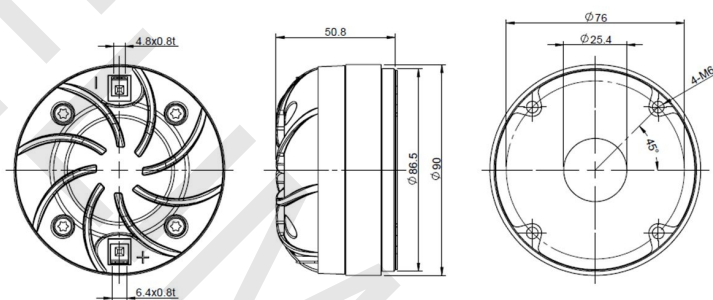
Last Update: 2016-07-18 07:57:21

Product Description

This 1.4 inch diaphragm 1inch exit compression driver is for use in high quality sound reinforcement systems. The polyimide surround allows reliable operation in 2 way systems with lower crossover points. The titanium diaphragm is coated with a light, thin layer of unique damping material giving the driver an unusually smooth sound. All of the materials resist environmental factors of heat, vibration and aging ensuring many years of stable performance.



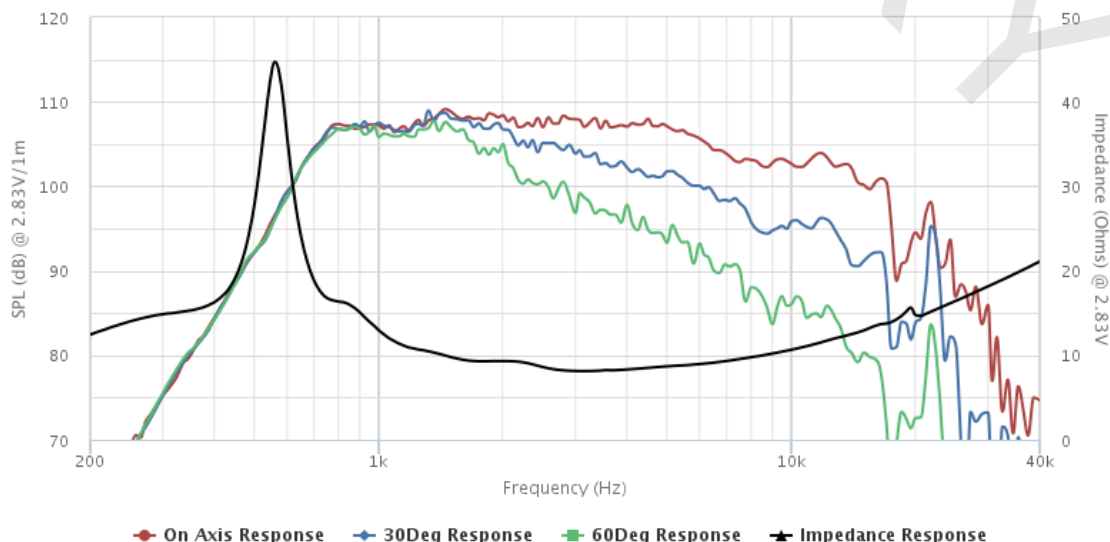
Mechanical Drawing



Specifications

DC Resistance	Revc	Ohms	6.46	5.0%	Energy Bandwidth Product	EBP	(1/Qes)*fs
Minimum Impedance	Zmin	Ohms	8.13	7.5%	Moving Mass	Mms	g
Voice Coil Inductance	Le	mH	0.03		Suspension Compliance	Cms	um/N
Resonant Frequency	Fs	Hz	745.77	15%	Effective Cone diameter	D	cm
Mechanical Q Factor	Qms		5.66		Effective Piston Area	Sd	cm ²
Electrical Q Factor	Qes		0.97		Effective Volume	Vas	L
Total Q Factor	Qts		0.83		Motor Force Factor	BL	Tm
Ratio Fs/Qts	F	Fs/Qts	902.87		Motor Efficiency Factor	β	(T*M ²)/Ohms
Half Space Sensitivity @2.83V	db@2.83V/1M	dB	107.7	+/- 1.0db	Voice coil former Material	VCfm	ASV
Half Space Sensitivity @1W/1M	db@1W/1M	dB	107.8	+/- 1.0db	Voice coil inner diameter	VCd	mm
Gap Height	Gh	mm	3		Rated Noise Power	P	W
Maximum Linear Excursion	Xmax	mm	0.1		Test Spectrum Bandwidth		1.5K - 15K Hz
Ferrofluid Type	FF				Driver Size	Inch	1.4 in
Driver Mass	Kg		1				

Frequency and Impedance Response



Highcharts.com