

# ND350

## DRIVER

### DESCRIPTION

The ND350 is a high frequency performance 1.75-inch diaphragm compression driver with a 1-inch exit throat. The diaphragm is precision formed from polyester. Voice coil assembly is designed using high temperature kapton former and rectangular profile copper clad aluminium wire assembled using advanced specially formulated adhesives.



### FEATURES

- 1.75-inch Diaphragm, 1-inch Exit Throat / Pure Titanium Compression Driver
- 100W continuous program power handling
- Frequency range: 1200Hz - 20kHz
- 2-slot optimized geometry phase plug
- Polyester diaphragm
- Vented suspension system
- Compact neodymium magnet assembly

## TECHNICAL SPECIFICATIONS

### General specifications

Exit Throat Diameter:	1.0 inch / 25 mm
Related Impedance:	8 ohm
Program Power (watt):	100 W
Power handling capacity (watt):	50 W
Sensitivity:	109 dB
Frequency range:	1200 - 20000 Hz
Diaphragm Material:	Polyester
Suspension Material:	Polyester
Suspension Design:	Flat
Minimum Impedance (ohm):	6.50 ohm
Voice Coil Diameter:	1.75 inch / 44 mm
Voice Coil Material:	Edgewound Aluminium
Voice Coil Former Design:	Straight - Kapton
Number of layers:	1
Kind of layers:	outside
Flux Density:	1.8 T
Phase Plug Design:	2 slot
Phase Plug Material:	PP Composite
Magnetics:	Neodymium

### Thiele - small parameters

Bl factor (Bl) (T x m):	7.50 T x m
-------------------------	------------

### Mounting informations

Overall diameter:	85 mm / 3.35 inches
Overall height:	43 mm / 1.69 inches
Mounting:	2 x 6 mm threaded holes at 90°

### Standard compliance

CE marking:	Yes
-------------	-----

### Size

Weight:	0.85 kg / 1.87 lbs
---------	--------------------

### Shipping informations

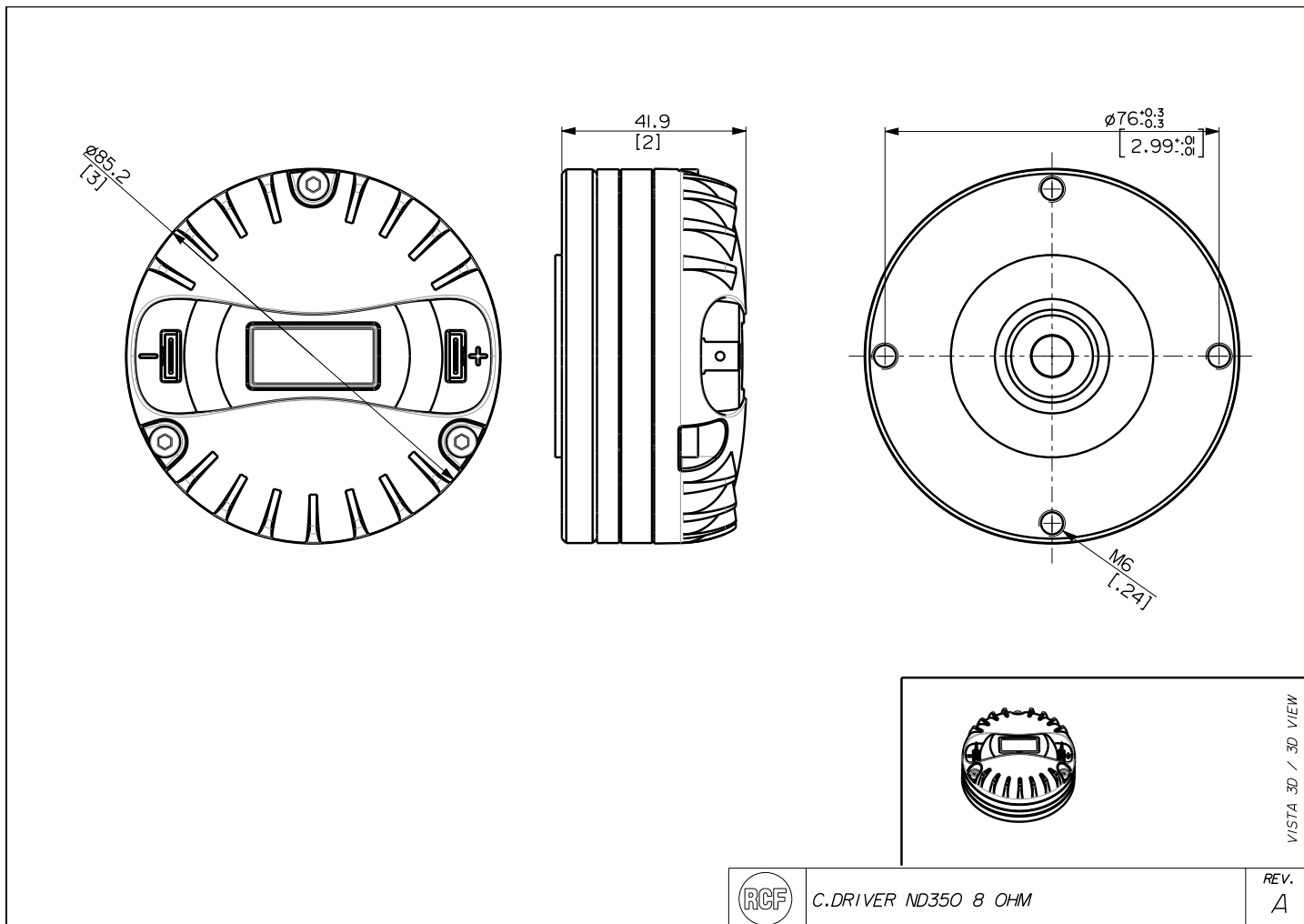
Package Height:	85 mm / 3.35 inches
Package Width:	160 mm / 6.3 inches
Package Depth:	155 mm / 6.1 inches
Package Weight:	0.89 kg / 1.96 lbs

## PART NUMBER

- **15129027**

ND350

8ohm



VISTA 3D / 3D VIEW

