

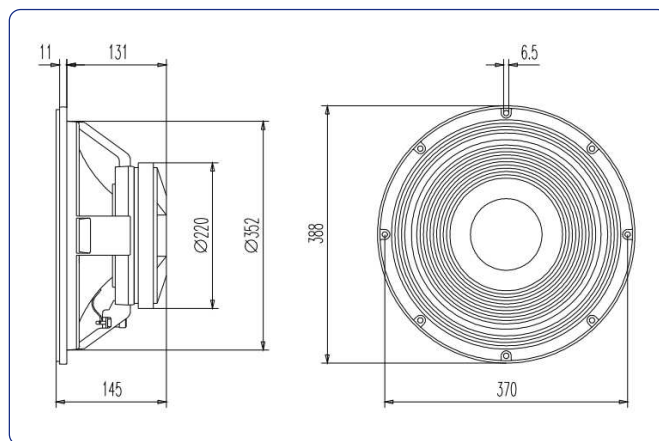
## KEY FEATURES

- High power handling: 500 W<sub>AES</sub>
- 4" copper voice coil
- High sensitivity: 97 dB
- High controlled displacement  $X_{MAX} \pm 8$  mm
- Low resonant frequency: 29 Hz
- Low harmonic distortion
- Designed for subwoofer and woofer applications

## TECHNICAL SPECIFICATIONS

Nominal diameter	380 mm	15 in
Rated impedance		8 $\Omega$
Minimum impedance		6,5 $\Omega$
Power capacity*	500 W <sub>AES</sub>	
Program power	1.000 W	
Sensitivity	97 dB	1W @ 1m @ Z <sub>N</sub>
Frequency range	30 - 2.000 Hz	
Voice coil diameter	101,6 mm	4 in
BI factor		22,8 N/A
Moving mass		0,121 kg
Voice coil length		20,5 mm
Air gap height		10 mm
X <sub>damage</sub> (peak to peak)		30 mm

## DIMENSION DRAWINGS



## THIELE-SMALL PARAMETERS\*\*

Resonant frequency, $f_s$	29 Hz
D.C. Voice coil resistance, $R_e$	6,1 $\Omega$
Mechanical Quality Factor, $Q_{ms}$	5,8
Electrical Quality Factor, $Q_{es}$	0,26
Total Quality Factor, $Q_{ts}$	0,25
Equivalent Air Volume to $C_{ms}$ , $V_{as}$	273 l
Mechanical Compliance, $C_{ms}$	250 $\mu$ m / N
Mechanical Resistance, $R_{ms}$	3,8 kg / s
Efficiency, $\eta_0$	2,4 %
Effective Surface Area, $S_d$	0,088 m <sup>2</sup>
Maximum Displacement, $X_{max}$ ***	8 mm
Displacement Volume, $V_d$	704 cm <sup>3</sup>
Voice Coil Inductance, $L_e$ @ 1 kHz	1,6 mH

## MOUNTING INFORMATION

Overall diameter	388 mm	15,28 in
Bolt circle diameter	370 mm	14,57 in
Baffle cutout diameter:		
- Front mount	352 mm	13,86 in
Depth	145 mm	5,7 in
Net weight	10,2 kg	22,49 lb
Shipping weight	11,3 kg	24,91 lb

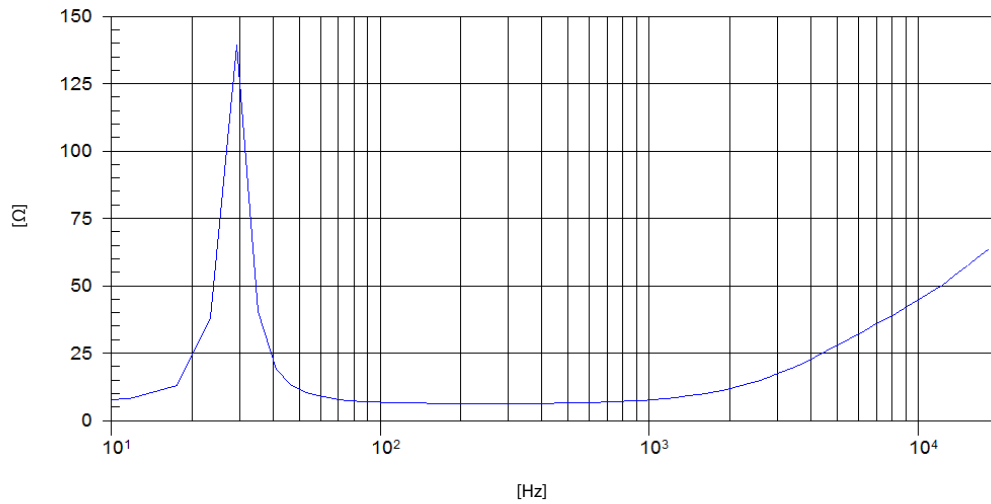
### Notes:

\* The power capacity is determined according to AES2-1984 (r2003) standard. Program power is defined as the transducer's ability to handle normal music program material.

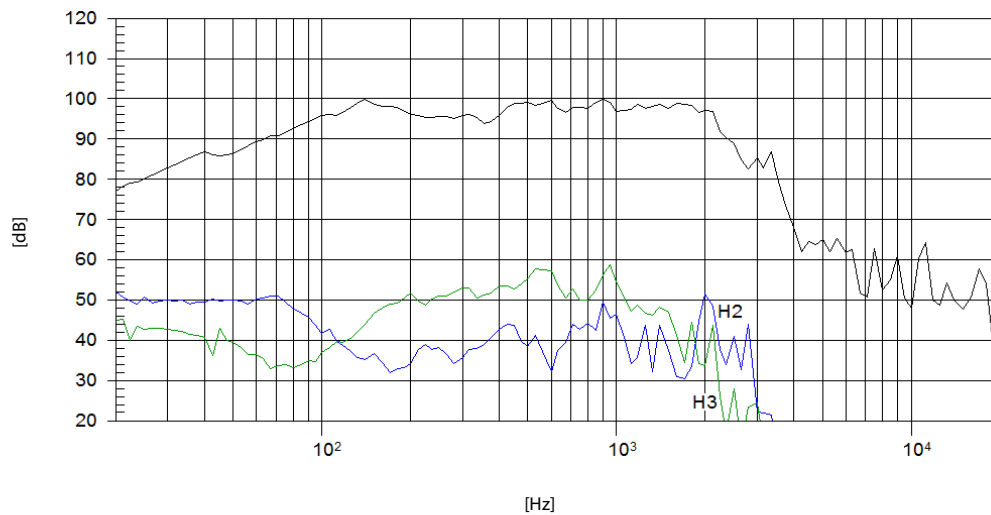
\*\* T-S parameters are measured after an exercise period using a preconditioning power test. The measurements are carried out with a velocity-current laser transducer and will reflect the long term parameters (once the loudspeaker has been working for a short period of time).

\*\*\* The  $X_{max}$  is calculated as  $(L_{vc} - H_{ag})/2 + (H_{ag}/3,5)$ , where  $L_{vc}$  is the voice coil length and  $H_{ag}$  is the air gap height.

## FREE AIR IMPEDANCE CURVE



## FREQUENCY RESPONSE AND DISTORTION



Note: On axis frequency response measured with loudspeaker standing on infinite baffle in anechoic chamber, 1W @ 1m