

Highland AINGEL 3201



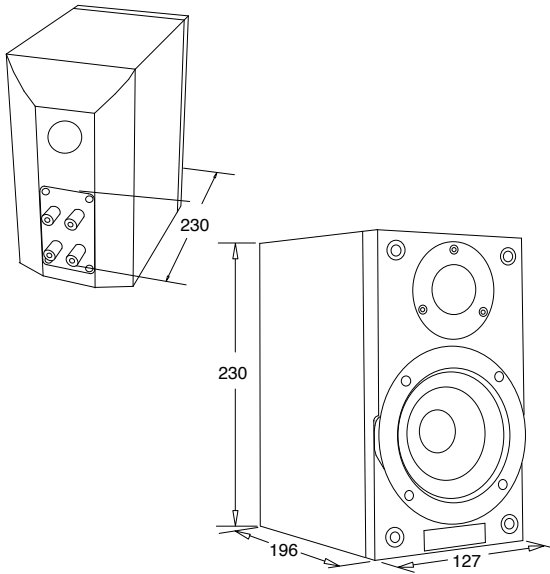
The 3201 Bookshelf loudspeakers are very compact and can diffuse an exceptional sound image. You will hardly believe that such musical qualities can get out of such small speakers !

Le monde la musique - (February 2006)



"The Aingel 3201 ranges among the best of its category: it offers a beautiful and truly 3-dimensional sound image, produces a sound with plenty of details, shapes an impressive dynamic relief and renders room acoustics. It's hard to imagine a finer finish and more vivid musical rendering at such a reasonable price."

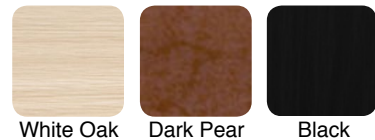
Specifications



Dimensions with grill (without terminals) :
H9" x W5" x D8.2"
H230 x W127 x D210 mm
Dimensions with grill and terminals :
H9" x W5" x D9"
H230 x W127 x D230 mm

Type :	2 ways
Enclosure :	Bass-reflex
Recommended amplifier :	10 - 50 W
Mid-bass driver :	4" (10 cm) ceramic on metal
Tweeter :	1" (2,5 cm) titanium dome, neodymium magnet
Frequency response :	65 Hz - 20 kHz
Sensitivity :	84 dB/1 W/1 m
Impedance :	6 Ω
Crossover frequency :	2,5 kHz - 12 dB/octave
Terminal :	Bi-wiring gold plated or bi-amp
Magnetic shield :	Yes
Weight :	Net : 13.2 lbs ; 6 kg
(by pair)	Gross : 16.5 lbs ; 7,5 kg
Size packaging :	H12.6" x W11.2" x D14.1"
	H320 x W285 x D360 mm
	Brown packaging
	4 printed sides packaging

Colors :



Details

Response curve :

